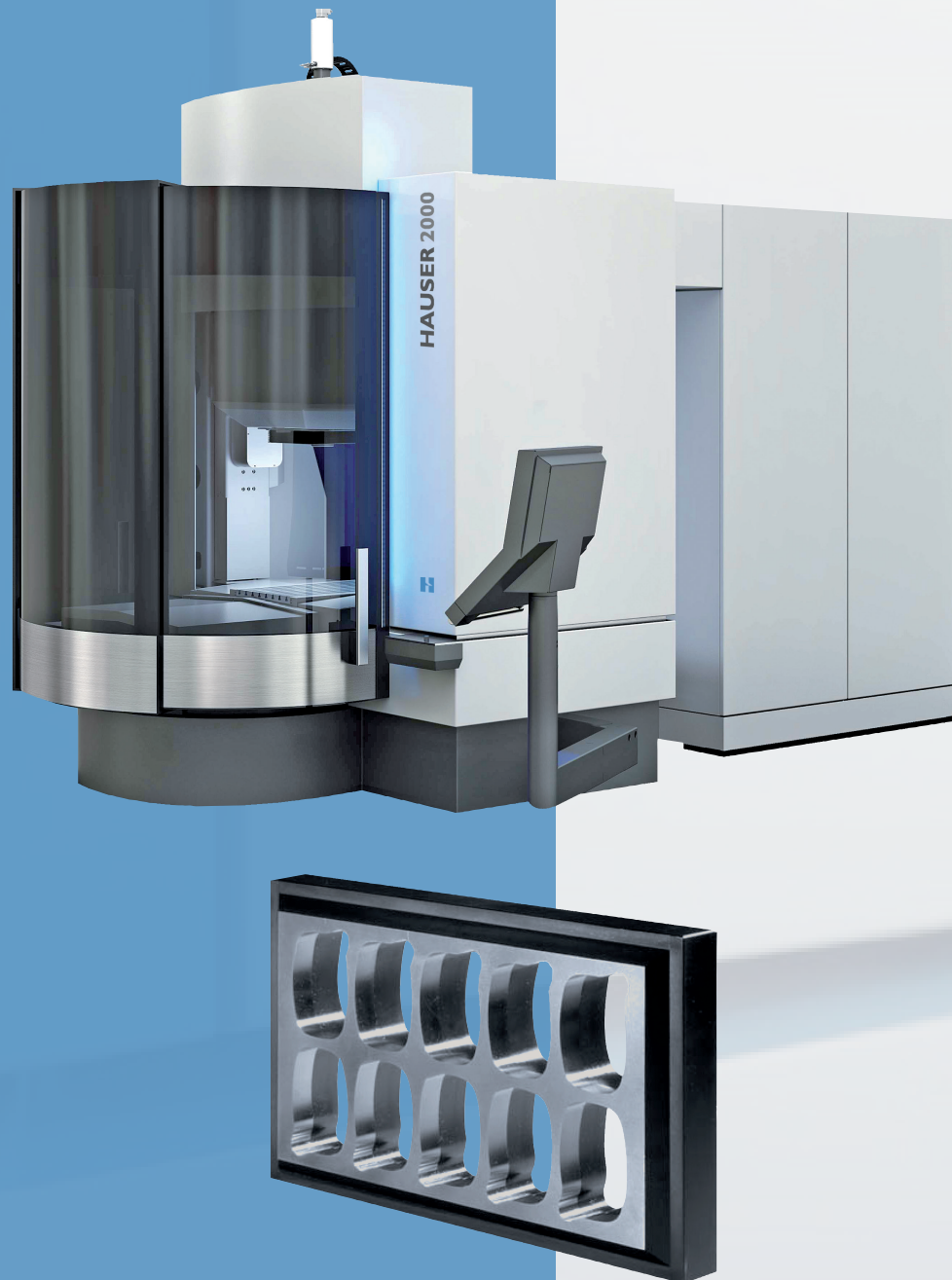


# HAUSER 2000

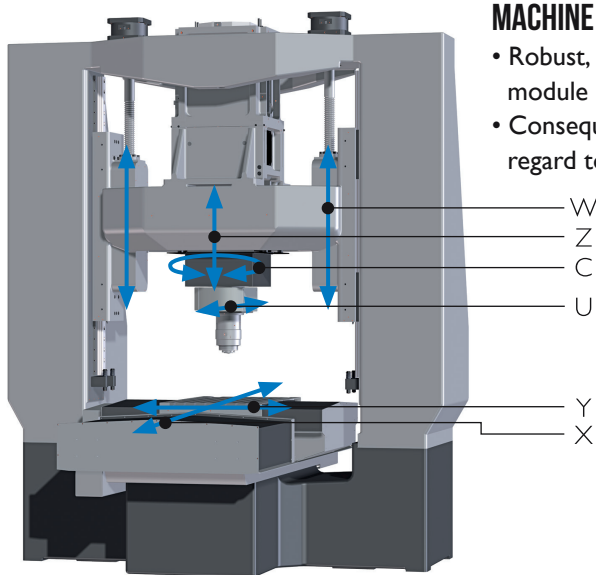
Technology to Measure



**HAUSER**  
[WWW.HARDINGE.COM](http://WWW.HARDINGE.COM)

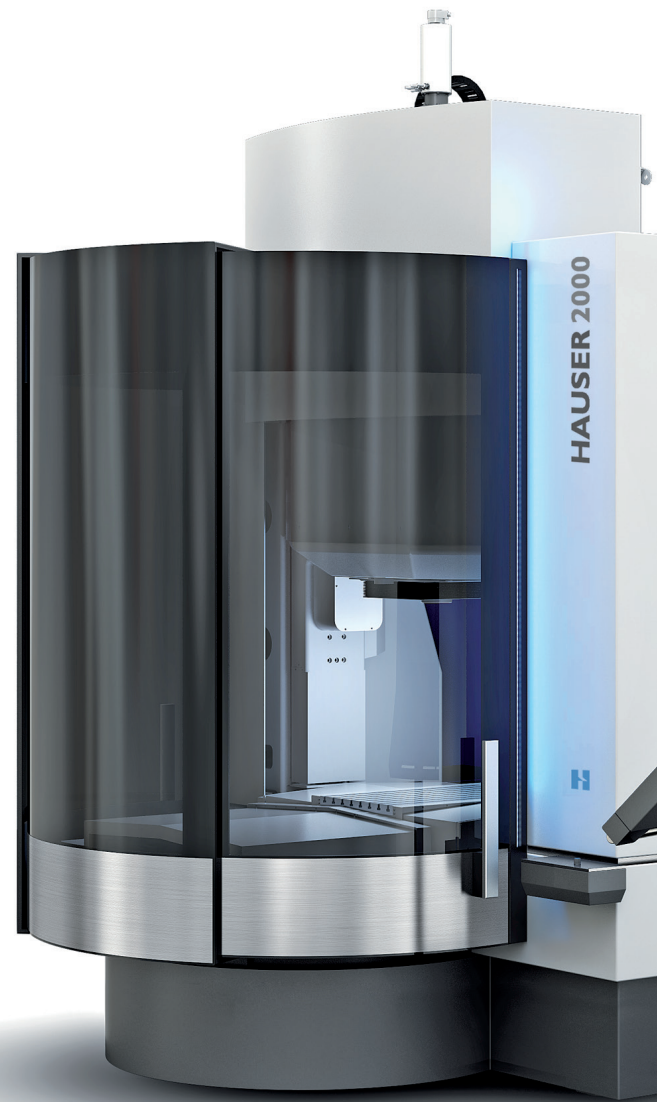
 **HARDINGE®**

# HAUSER 2000



## MACHINE

- Robust, distortion-resistant module
- Consequent lay-out with regard to thermal stability



## GUIDEWAYS / MEASURING SYSTEMS / AXES DRIVES

- Sliding guideways wherever required
- Linear guideways wherever possible
- Absolutely smooth stroke reversal
- Measuring systems optimally positioned with regard to the measuring technique
- Axes drives in the centre of friction



## GUIDEWAYS

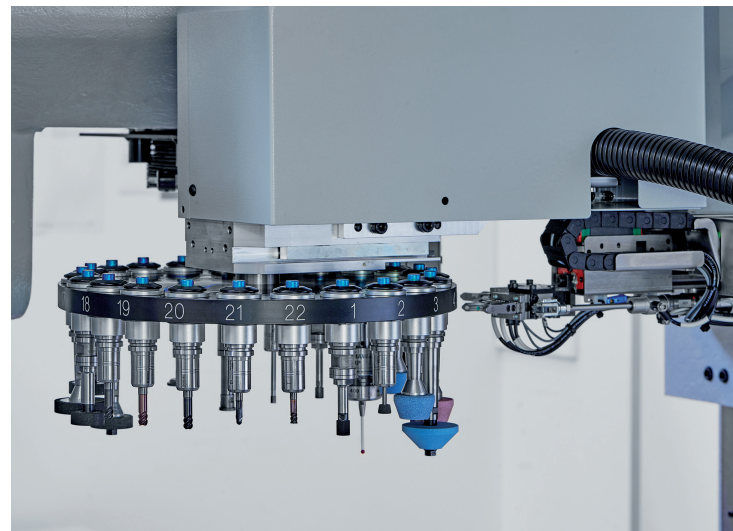
- Scraped sliding guideways in X and Y axis



## CONTROL SYSTEM

If you appreciate user friendly menu-programming and insist on the advantages of ISO/DIN programming, then the HAUSER product will be the right choice.

Axis X, Y, C, U, Z and W are CNC controlled, as a standard with Fanuc 30i. Based on this controller we have created HAUSER-Software cycles, ensuring that the control will perfectly cover all the special requirements of jig grinding.



# OPTIONS AND ACCESSORIES



## ATC AUTOMATIC TOOL CHANGER

ATC automatic tool changer with 22 magazine positions, permitting automatic machining with grinding wheels from  $\varnothing 3$  mm to  $\varnothing 50$  mm.

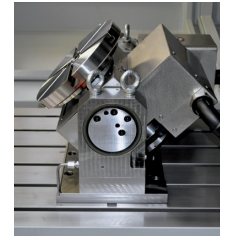
## MEASURING PROBE

Measuring probe for the automatic best fit of work-pieces and for the establishment of measuring protocols.



## ROTARY AND ROTARY TILTING AXES

A- and A-B axes in customized version are available as additional units.



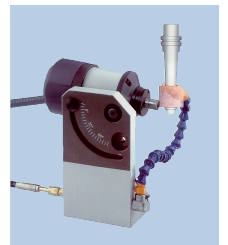
## GRINDING MOTOR

Grinding motor 70S ATC with its extremely wide range of application, from 9000 min-1 to 70000 min-1. This grinding motor, and its state of the arts design is an absolute must for getting optimal use out of the grinding tool changer.



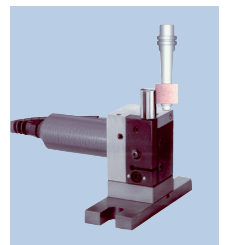
## CBN DRESSING UNIT

CBN dressing unit with HF drive, for conditioning (dressing) vitrified and resinoid bond CBN grinding wheels.



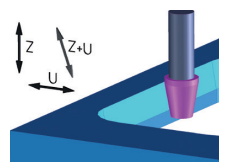
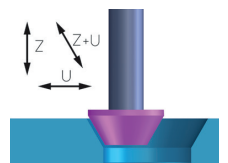
## MSS

MSS – multi-sensor-system for automatic suppression of “air grinding” and for automatic grinding wheel calibration.



## TAPER GRINDING

Automated taper grinding with help of Z-U-axis interpolation.



# NEW HAUSER JIG GRINDING HEAD



**DRIVE SECTION**

**PRECISION SECTION**

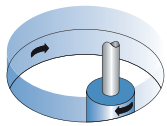
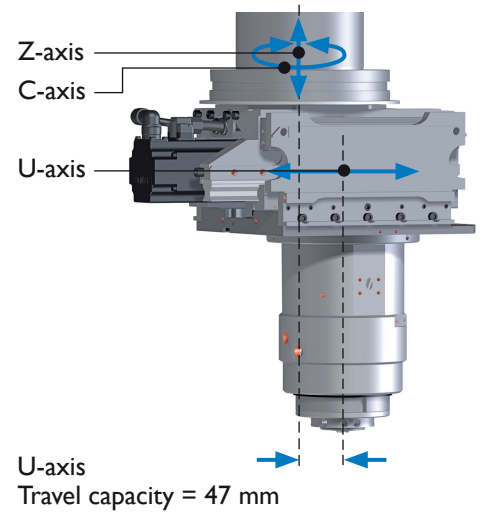
High-grade rigidity and stiffness leads in duplicating the stock removal capability and cuts in half the spark out time.

Allows the combination of grinding and hard milling.

Significant boost in stroke speed and stroke frequency leads into reduced grinding cycle time.

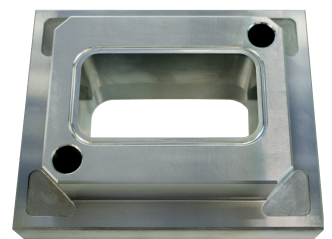
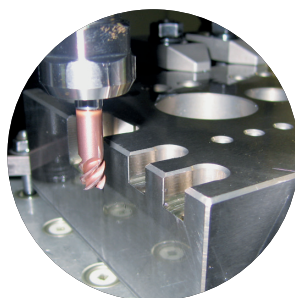
Hydrostatic guided spindle bearing system allows circular accuracies within  $\leq 0.5\mu\text{m}$  in planetary grinding.

Unparalleled U-axis capacity up to +47 mm increases the grinding autonomy.



## TECHNOLOGY OVERLAP: JIG GRINDING AND HARD FINE MILLING

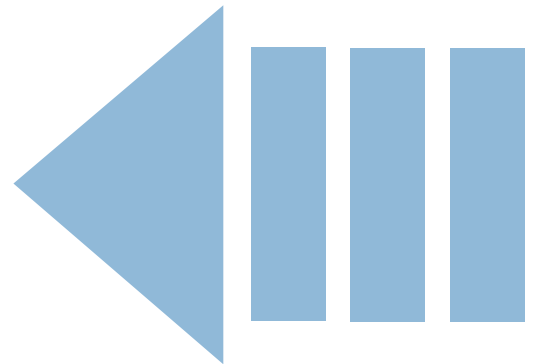
Thanks to the most modern grinding head technology, the combination of high accurate jig grinding with complementary hard milling becomes a focal point and is successfully used.



## FANUC SERIES 30i

- Max. number of path: 10 - 15 path
- Max. total number of control axes:
- 96 axes (72 feed axes, 24 spindles) / 10 path
- 72 axes (56 feed axes, 16 spindles) / 15 path
- Max. number of simultaneous control axes: 24 axes

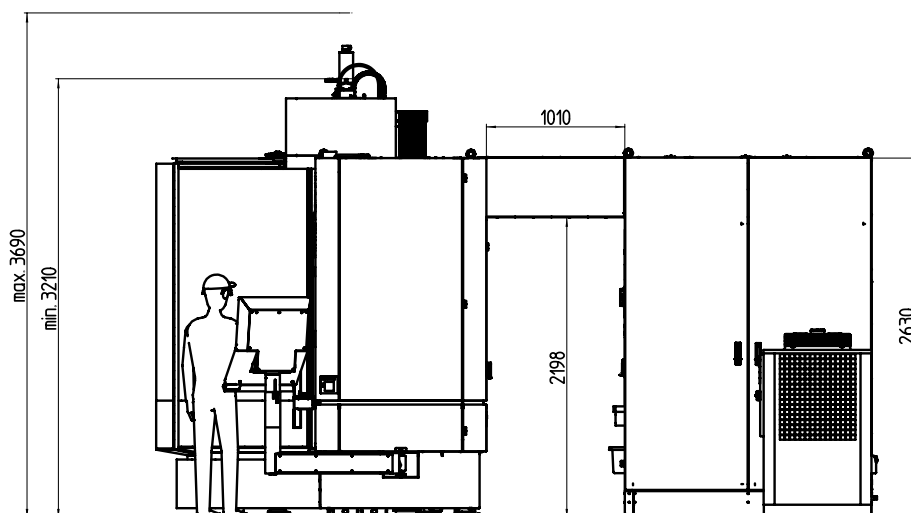
The big capability of this model helps to realize an advanced multi axis machine tool. Thanks to a number of control axes, various machining processes can be executed at the same time. Its 5-axis machining function can achieve the machining of complex shape. It has the flexibility to control various types of machine tools.



# FLOOR PLANS

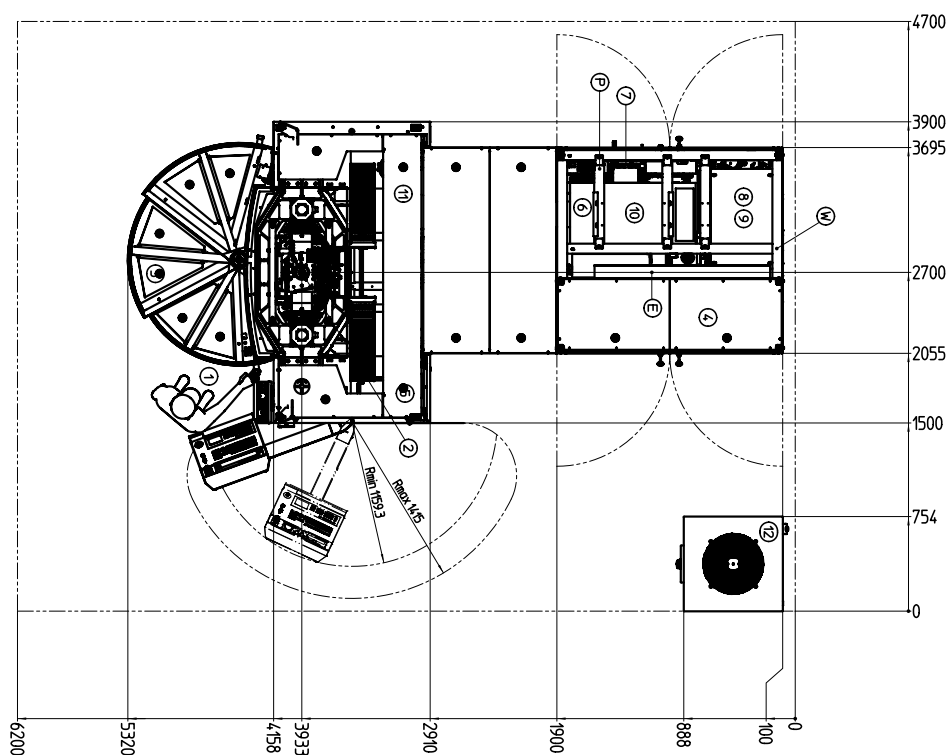
## LEGEND

- 1 Location of the Operator
- 2 Jig Grinder
- 3 Workspace Protection (cabin)
- 4 Electrical Cabinet
- 5 CO2 Extinguishing Agent Container
- 6 Coolant System with Belt Filter Automat
- 7 Pneumatic Group
- 8 Hydraulic unit
- 9 Heat Exchangers
- 10 Suction System
- 11 Coolant Lift Tank
- 12 Water Coolers
- E Electrical Connection
- P Compressed Air Connection
- W Water Connection



**FRONT VIEW**

**TOP VIEW**



# TECHNICAL SPECIFICATIONS

Machine Type	Hauser 2000	
<b>Work range</b>		
Range of adjustment X,Y	mm	550×300
Vertical adjustment of grinding head (W)	mm	450
Clearance between table top and U-axis reception face grinding motors	mm	max. 745
Clearance between table top and grinding motor reception nose (70S)	mm	0–550
Diameter ground in planetary mode, with grinding wheel Ø 50 mm / 70S:		
• Grinding motor 70S in U-axis central position, automatic grinding mode	mm	max. 144
• Grinding motor 70S in U-axis offset position, semi automatic mode	mm	max. 234
• with extension plates	mm	max. 360
Diameter ground in planetary mode, with grinding wheel Ø 100 mm/40S:		
• Grinding motor 40S in U-axis central position, automatic grinding mode	mm	max. 194
• Grinding motor 40S in U-axis offset position, semi automatic mode	mm	max. 284
• with extension plates	mm	max. 360
Taper grinding, included angle, divergent and convergent (Option)	degree	max. 120
<b>Table</b>		
Working surface	mm	650×432
6 T-slots, width	mm	10
Permissible table load	kg	max. 300
<b>Feeds</b>		
Table and saddle X,Y:		
• Machining speed	mm/min	0–4'000
• Traversing speed	mm/min	8'000
Vertical traversing speed W:		
• Machining speed	mm/min	0–4'000
• Traversing speed	mm/min	8'000
<b>Grinding Spindle Z, C, U</b>		
Diameter of the spindle sleeve	mm	125
Basic machine is prepared for use of following grinding spindle speeds:		
• For electric grinding motor 40S, infinitely adjustable and programmable	min-l	4'000–40'000
• For electric grinding motor 22S, infinitely adjustable and programmable	min-l	4'500–22'500
• For electric grinding motor 45S, infinitely adjustable and programmable	min-l	9'000–45'000
• For electric grinding motor 70S, infinitely adjustable and programmable	min-l	9'000–70'000
• System to activate grinding turbine T15	min-l	150'000
• For electric slot grinding attachment, infinitely adjustable	min-l	3'900–18'300
C-axis planetary mode:		
• Planetary mode, infinitely adjustable and programmable	min-l	1–350
• C-axis follow-up mode, AC servo-drive	min-l	bis 10
Z-axis in alternating stroke mode:		
• Z-alternating stroke movement, infinitely adjustable, from	mm/min	Vmin. 0,500
• Z-alternating stroke movement, infinitely adjustable up to	mm/min	Vmax. 26'000
• Z-stroke frequency	Hz	max. 10
• Z-stroke length, infinitely adjustable	mm	0,1 bis 170
Z-axis in CNC mode:		
• Z-axis machining speed	mm/min	0–4'000
• Z-axis traversing speed	mm/min	8'000
U-axis radial travel capacity in CNC mode	mm	von -3 bis +47
<b>Accuracy</b>		
Positional uncertainty of the axes X,Y and W,P (corresponding to VDI/DGQ 3441)	mm	0,0015
Planetary grinding accuracy C:		
Achievable roundness accuracy provided max care is taken	mm	0,0005
<b>Room Temperature Conditions</b> (essential to achieve stated accuracy)		
Ambient temperature	°C	20 -0/+2
Permissible temperature changes	°C	2° per 24 hours, resp. 0,5° per hour
Permissible temperature variations within the machine volume	°C	0,5
Relative humidity	%	25–75

All specifications and designs are subject to alterations without notice

## Control System

- Control system Fanuc 30i



## HARDINGE WORLDWIDE

Hardinge is a leading international provider of advanced metal-cutting solutions. We provide a full spectrum of highly reliable CNC turning, milling, and grinding machines as well as technologically advanced work-holding accessories.

The diverse products we offer enable us to support a variety of market applications in industries including aerospace, agricultural, automotive, construction, consumer products, defense, energy, medical, technology, transportation and more.

We've developed a strong global presence with manufacturing operations in North America, Europe, and Asia. Hardinge applies its engineering and applications expertise to provide your company with the right machine tool solution and support every time.

### AMERICAS

**Pennsylvania**  
Hardinge Corporate  
1235 Westlakes Drive  
Suite 410  
Berwyn, PA 19312

**New York**  
Hardinge  
One Hardinge Drive  
Elmira, NY 14903  
P. 800-843-8801  
E. [info@hardinge.com](mailto:info@hardinge.com)  
[www.hardinge.com](http://www.hardinge.com)

**Illinois**  
Hardinge  
1524 Davis Road  
Elgin, IL 60123  
P. 800.843.8801

### ASIA

**China**  
Hardinge Machine  
(Shanghai) Co. Ltd.  
1388 East Kangqiao Road  
Pudong, Shanghai 201319  
P. 0086 21 3810 8686

**Taiwan**  
Hardinge Taiwan Precision  
Machinery Limited  
4 Tzu Chiang 3rd Road  
Nan Tou City 540  
Taiwan  
P. 886 49 2260 536  
E. [cs@hardinge.com.tw](mailto:cs@hardinge.com.tw)

### EUROPE

**France**  
Jones & Shipman SARL  
8 Allee des Ginkgos  
BP 112-69672  
Bron Cedex, France

**Germany**  
Hardinge GmbH  
Fichtenhain A 13c  
47807 Krefeld  
P. 49 2151 49649 10  
E. [info@hardinge-gmbh.de](mailto:info@hardinge-gmbh.de)

**Switzerland**  
L. Kellenberger & Co. AG  
Heiligkreuzstrasse 28  
CH 9008 St. Gallen  
Switzerland  
P. 41 71 2429111  
E. [info@kellenberger.net](mailto:info@kellenberger.net)

**United Kingdom**  
Jones & Shipman  
Hardinge Ltd.  
Europark, Unit 4 Watling Street  
Rugby CV23 0AL, England  
P. 44 116 201 3000  
E. [info@jonesshipman.com](mailto:info@jonesshipman.com)



[WWW.HARDINGE.COM](http://WWW.HARDINGE.COM)

All prices and specifications are subject to change without notice.  
All marks indicated by ® and ™ are trademarks of their respective owners.  
#1221-1E © Hardinge Inc. • 07/19